



TECHNICAL DOSSIER PRODUCT SUMMARY

TDP-20230920-001-KTA-V01

SECTION 1: PRODUCT INFORMATION	
PRODUCT NAME AND CODE(S):	ferronyl™ iron supplement *applies to all grades used in food and beverage applications
PRODUCT DESCRIPTION:	refer to product specification

SECTION 2: MANUFACTURING OR DISTRIBUTING INFORMATION	
NAME AND ADDRESS OF MANUFACTURING OR DISTRIBUTING SITE:	ISP Freetown Fine Chemicals Inc. 238 South Main Street Assonet, MA 02702
MANUFACTURING FLOWCHART:	attached
GMP COMPLIANCE:	ISO 9001:2015

SECTION 3: PHYSICAL AND CHEMICAL INFORMATION		
INGREDIENTS IN DESCENDING ORDER BY WEIGHT		
RM NAME:	SOURCE/STARTING MATERIAL:	CAS NUMBER:
ferronyl iron (carbonyl iron)	mineral	7439-89-6
COUNTRY OF ORIGIN (where final product is manufactured):		USA
PRODUCT SPECIFICATION & CERTIFICATE OF ANALYSIS:		Contact your Ashland Sales or Customer Service Representative.

SECTION 4: PRODUCT CERTIFICATION INFORMATION	
HALAL CERTIFIED:	Not Certified
KOSHER CERTIFIED:	Not Certified
ORGANIC CERTIFIED:	Not Certified

SECTION 5: LABELING INFORMATION	
FINISHED PRODUCT LABELS & LABEL CLAIMS:	Ashland is not responsible.
OTHER (usage, safety, or warning statements):	Keep out of the reach of children. If pregnant or lactating consult a physician before use.

All statements, information and data presented herein are believed to be accurate and reliable, but are not to be taken as a guarantee, an express warranty, or an implied warranty of merchantability or fitness for a particular purpose, or representation, express or implied, for which Ashland, Inc. and its subsidiaries assume legal responsibility. © Registered trademark, Ashland, or its subsidiaries, registered in various countries.
™Trademark, Ashland, or its subsidiaries, registered in various countries. *Trademark owned by a third party. © 2023, Ashland.



TECHNICAL DOSSIER PRODUCT SUMMARY

TDP-20230920-001-KTA-V01

SECTION 6: REGULATORY INFORMATION	
PATENT COVERAGE:	Not available
COMPENDIAL GRADE:	US Food Grade
REGULATORY STATUS:	This immediate stock product and its components comply with all US FDA rules and regulations.
INTERNATIONAL REGULATORY STATUS:	Consult in-country/local regulatory authorities for compliance information.

SECTION 7: MISCELLANEOUS PRODUCT INFORMATION	
BATCH/LOT NUMBERING SYSTEM:	Lot numbers are assigned by the Custom Processing Service lot number and the internal SAP material code.
RETEST DATE:	Refer to CoA
RECOMMENDED STORAGE CONDITIONS:	Keep tightly sealed in original container, away from direct sunlight, in a dry and cool place.
PACKAGE SIZE (S) AND TYPE:	22.68 kg pail
SAFETY DATA SHEET (SDS):	www.ashland.com

SECTION 8: REVISION HISTORY		
REVISION DATE:	REVISION LEVEL:	DESCRIPTION OF CHANGE:
07/05/23	00	New Document
09/20/23	01	Updated industry application.

All statements, information and data presented herein are believed to be accurate and reliable, but are not to be taken as a guarantee, an express warranty, or an implied warranty of merchantability or fitness for a particular purpose, or representation, express or implied, for which Ashland, Inc. and its subsidiaries assume legal responsibility. © Registered trademark, Ashland, or its subsidiaries, registered in various countries.
™Trademark, Ashland, or its subsidiaries, registered in various countries. *Trademark owned by a third party. © 2023, Ashland.



ALL-20230705-002-KTA-V00

ALLERGEN STATEMENT

ferronyl™ iron supplement

The table below is comprised from the current EU Council Directive, the US FDA Food Allergen Labeling and Consumer Protection Act of 2004, in addition to other known sensitivities.

Allergen/Hypersensitivity Name	Yes	No	Comments
Antibiotics	<input type="checkbox"/>	<input checked="" type="checkbox"/>	
Antioxidants	<input type="checkbox"/>	<input checked="" type="checkbox"/>	
Artificial colors or flavors	<input type="checkbox"/>	<input checked="" type="checkbox"/>	
Artificial sweeteners (i.e., aspartame, Ace-K, sucralose, saccharin)	<input type="checkbox"/>	<input checked="" type="checkbox"/>	
Bee products (including pollen, honey, propolis, royal jelly)	<input type="checkbox"/>	<input checked="" type="checkbox"/>	
Beef and beef derivatives	<input type="checkbox"/>	<input checked="" type="checkbox"/>	
Benzoic acid and products thereof (i.e., benzoates)	<input type="checkbox"/>	<input checked="" type="checkbox"/>	
Buckwheat	<input type="checkbox"/>	<input checked="" type="checkbox"/>	
Butylated hydroxyanisole (BHA)	<input type="checkbox"/>	<input checked="" type="checkbox"/>	
Casein	<input type="checkbox"/>	<input checked="" type="checkbox"/>	
Cereals containing gluten and products thereof	<input type="checkbox"/>	<input checked="" type="checkbox"/>	
Chicken and chicken derivatives	<input type="checkbox"/>	<input checked="" type="checkbox"/>	
Chocolate and chocolate derivatives	<input type="checkbox"/>	<input checked="" type="checkbox"/>	
Cinnamon	<input type="checkbox"/>	<input checked="" type="checkbox"/>	
Cocoa and products thereof	<input type="checkbox"/>	<input checked="" type="checkbox"/>	
Coconut	<input type="checkbox"/>	<input checked="" type="checkbox"/>	
Coriander	<input type="checkbox"/>	<input checked="" type="checkbox"/>	
Corn and products thereof	<input type="checkbox"/>	<input checked="" type="checkbox"/>	
Crustaceans including shellfish	<input type="checkbox"/>	<input checked="" type="checkbox"/>	
Dyes and azo colors (i.e., tartrazine)	<input type="checkbox"/>	<input checked="" type="checkbox"/>	
Eggs and egg derivatives	<input type="checkbox"/>	<input checked="" type="checkbox"/>	
Environmental hormones (i.e., alkylphenol)	<input type="checkbox"/>	<input checked="" type="checkbox"/>	
Ethanol	<input type="checkbox"/>	<input checked="" type="checkbox"/>	
FD&C colors or dyes	<input type="checkbox"/>	<input checked="" type="checkbox"/>	
Fish and products thereof	<input type="checkbox"/>	<input checked="" type="checkbox"/>	
Fruit and fruit derivatives	<input type="checkbox"/>	<input checked="" type="checkbox"/>	
Galactose	<input type="checkbox"/>	<input checked="" type="checkbox"/>	
Gelatin	<input type="checkbox"/>	<input checked="" type="checkbox"/>	
Gluten	<input type="checkbox"/>	<input checked="" type="checkbox"/>	
Grains (i.e., rye, oats, barley, spelt, malt or any	<input type="checkbox"/>	<input checked="" type="checkbox"/>	

All statements, information and data presented herein are believed to be accurate and reliable, but are not to be taken as a guarantee, an express warranty, or an implied warranty of merchantability or fitness for a particular purpose, or representation, express or implied, for which Ashland, Inc. and its subsidiaries assume legal responsibility. ® Registered trademark, Ashland, or its subsidiaries, registered in various countries. ™Trademark, Ashland, or its subsidiaries, registered in various countries. *Trademark owned by a third party. © 2023, Ashland.



ALL-20230705-002-KTA-V00

derivative)	<input type="checkbox"/>	<input checked="" type="checkbox"/>	
Hydrolyzed animal or plant protein	<input type="checkbox"/>	<input checked="" type="checkbox"/>	
Hydroxybenzoic acid esters	<input type="checkbox"/>	<input checked="" type="checkbox"/>	
Iodine	<input type="checkbox"/>	<input checked="" type="checkbox"/>	
Latex	<input type="checkbox"/>	<input checked="" type="checkbox"/>	
Legume and products thereof	<input type="checkbox"/>	<input checked="" type="checkbox"/>	
Lupin and products thereof	<input type="checkbox"/>	<input checked="" type="checkbox"/>	
Milk and milk derivatives (including lactose)	<input type="checkbox"/>	<input checked="" type="checkbox"/>	
Mollusks (i.e., snails, clams, octopus, squid)	<input type="checkbox"/>	<input checked="" type="checkbox"/>	
Monosodium glutamate/glutamates	<input type="checkbox"/>	<input checked="" type="checkbox"/>	
Mustard and products thereof	<input type="checkbox"/>	<input checked="" type="checkbox"/>	
Natural colors or flavors	<input type="checkbox"/>	<input checked="" type="checkbox"/>	
Nuts including all tree nut species or derivatives (i.e., walnuts, cashews, almonds, Brazil nuts)	<input type="checkbox"/>	<input checked="" type="checkbox"/>	
Peanuts and products thereof	<input type="checkbox"/>	<input checked="" type="checkbox"/>	
Phenylalanine	<input type="checkbox"/>	<input checked="" type="checkbox"/>	
Pinoli (Pinus spp.)	<input type="checkbox"/>	<input checked="" type="checkbox"/>	
Pork and pork derivatives	<input type="checkbox"/>	<input checked="" type="checkbox"/>	
Preservatives (i.e., benzoic acid salts and esters)	<input type="checkbox"/>	<input checked="" type="checkbox"/>	
Rice and rice derivatives	<input type="checkbox"/>	<input checked="" type="checkbox"/>	
Saccharin (including saccharin calcium saccharin sodium)	<input type="checkbox"/>	<input checked="" type="checkbox"/>	
Seed and/or oil and all derivatives (i.e., canola, poppy, safflower, sunflower)	<input type="checkbox"/>	<input checked="" type="checkbox"/>	
Sesame and sesame derivatives	<input type="checkbox"/>	<input checked="" type="checkbox"/>	
Sodium (elemental)	<input type="checkbox"/>	<input checked="" type="checkbox"/>	
Soy and soy derivatives	<input type="checkbox"/>	<input checked="" type="checkbox"/>	
Sugar (i.e., fructose, sucrose, glucose, invert sugar)	<input type="checkbox"/>	<input checked="" type="checkbox"/>	
Sugar alcohols (i.e., erythritol, isomalt, lactitol, mannitol)	<input type="checkbox"/>	<input checked="" type="checkbox"/>	
Sulfur dioxide and sulfites (>10ppm or mg/kg as SO ₂)	<input type="checkbox"/>	<input checked="" type="checkbox"/>	
Tertiary Butylhydroquinone (TBHQ)	<input type="checkbox"/>	<input checked="" type="checkbox"/>	
Tocopherols	<input type="checkbox"/>	<input checked="" type="checkbox"/>	
Vanillin	<input type="checkbox"/>	<input checked="" type="checkbox"/>	
Vegetables and products thereof (i.e., carrot, celery, Umbelliferae family, mushrooms)	<input type="checkbox"/>	<input checked="" type="checkbox"/>	
Yeast and yeast derivatives	<input type="checkbox"/>	<input checked="" type="checkbox"/>	
Wheat and wheat derivatives	<input type="checkbox"/>	<input checked="" type="checkbox"/>	

Date: 07/05/23

Revision No.: 00

All statements, information and data presented herein are believed to be accurate and reliable, but are not to be taken as a guarantee, an express warranty, or an implied warranty of merchantability or fitness for a particular purpose, or representation, express or implied, for which Ashland, Inc. and its subsidiaries assume legal responsibility. ® Registered trademark, Ashland, or its subsidiaries, registered in various countries. ™Trademark, Ashland, or its subsidiaries, registered in various countries. *Trademark owned by a third party. © 2023, Ashland.



BIO-20230705-003-KTA-V00

ferronyl™ iron supplement

BIOENGINEERING STATEMENT

The Agricultural Marketing Services (AMS) has developed a List of Bioengineered Foods ([List of Bioengineered Foods | Agricultural Marketing Service \(usda.gov\)](https://www.usda.gov/ams/food-labeling/bioengineered-foods)) to identify the crops or foods that are available in a bioengineered form throughout the world. In accordance with 7 U.S.C. § 1639, Ashland, Inc. confirms that ferronyl™ iron supplement is not derived from a BE crop, therefore considered non-bioengineered.

Date: 07/05/23

Revision No.: 00

All statements, information and data presented herein are believed to be accurate and reliable, but are not to be taken as a guarantee, an express warranty, or an implied warranty of merchantability or fitness for a particular purpose, or representation, express or implied, for which Ashland, Inc. and its subsidiaries assume legal responsibility. ® Registered trademark, Ashland, or its subsidiaries, registered in various countries. ™Trademark, Ashland, or its subsidiaries, registered in various countries. *Trademark owned by a third party. © 2023, Ashland.



BSE-20230705-004-KTA-V00

ferronyl™ iron supplement

BSE/TSE STATEMENT

Ashland, Inc. confirms, based on the information provided by our raw material manufacturers, the product listed above is not derived from and does not contain animal derivatives with bovine spongiform encephalopathies (BSE) or transmissible spongiform encephalopathies (TSE).

Date: 07/05/23

Revision No.: 00

All statements, information and data presented herein are believed to be accurate and reliable, but are not to be taken as a guarantee, an express warranty, or an implied warranty of merchantability or fitness for a particular purpose, or representation, express or implied, for which Ashland, Inc. and its subsidiaries assume legal responsibility. ® Registered trademark, Ashland, or its subsidiaries, registered in various countries. ™Trademark, Ashland, or its subsidiaries, registered in various countries. *Trademark owned by a third party. © 2023, Ashland.



ELE-20230705-005-KTA-V00

ferronyl™ iron supplement

ELEMENTAL IMPURITIES STATEMENT

Ashland, Inc. confirms, based on the information provided by our raw material manufacturers, that Class 1, 2, and 3 elements are not intentionally added and are not expected to be present based on the evaluation of sources, including manufacturing equipment, that may contribute to elemental impurities.

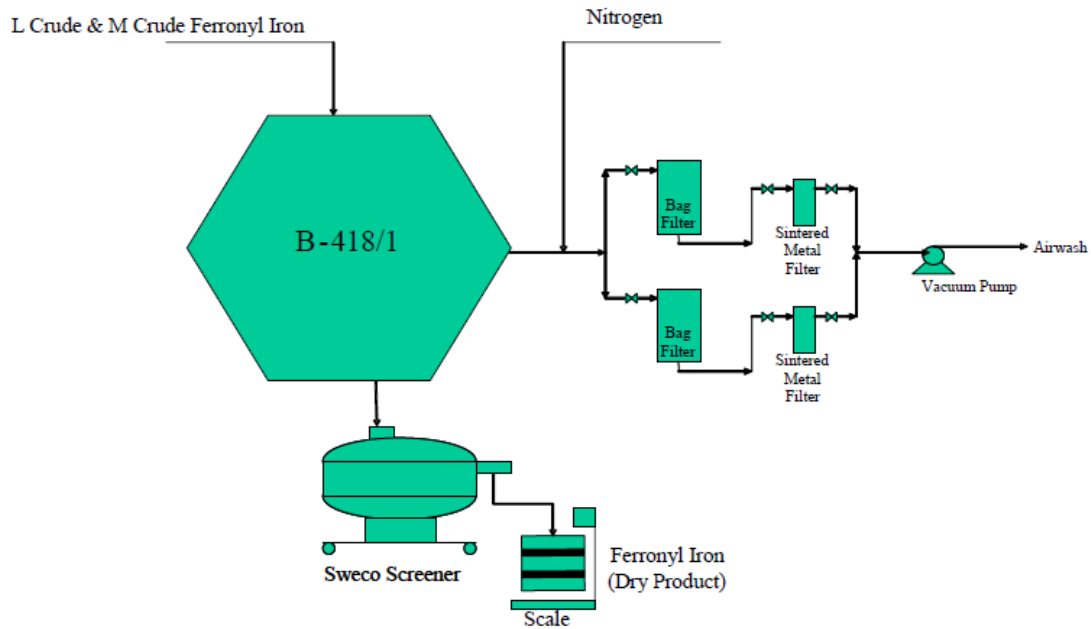
Ashland, Inc. does not perform any elemental impurities testing on the product listed above.

Date: 07/05/23
Revision No.: 00

All statements, information and data presented herein are believed to be accurate and reliable, but are not to be taken as a guarantee, an express warranty, or an implied warranty of merchantability or fitness for a particular purpose, or representation, express or implied, for which Ashland, Inc. and its subsidiaries assume legal responsibility. ® Registered trademark, Ashland, or its subsidiaries, registered in various countries. ™Trademark, Ashland, or its subsidiaries, registered in various countries. *Trademark owned by a third party. © 2023, Ashland.

ferronyl™ iron supplement

PRODUCT FLOWCHART



Date: 07/05/23
Revision No.: 00

All statements, information and data presented herein are believed to be accurate and reliable, but are not to be taken as a guarantee, an express warranty, or an implied warranty of merchantability or fitness for a particular purpose, or representation, express or implied, for which Ashland, Inc. and its subsidiaries assume legal responsibility. ® Registered trademark, Ashland, or its subsidiaries, registered in various countries. ™Trademark, Ashland, or its subsidiaries, registered in various countries. *Trademark owned by a third party. © 2023, Ashland.



GLU-20230705-007-KTA-V00

ferronyl™ iron supplement

GLUTEN-FREE STATEMENT

Ashland, Inc. confirms, based on the information provided by our raw material manufacturers, the product listed above does not contain or has not been in contact with any known gluten-containing substances.

Ashland, Inc. confirms, the above product meets U.S. gluten-free standard of less than 20 ppm.

Date: 07/05/23

Revision No.: 00

All statements, information and data presented herein are believed to be accurate and reliable, but are not to be taken as a guarantee, an express warranty, or an implied warranty of merchantability or fitness for a particular purpose, or representation, express or implied, for which Ashland, Inc. and its subsidiaries assume legal responsibility. ® Registered trademark, Ashland, or its subsidiaries, registered in various countries. ™Trademark, Ashland, or its subsidiaries, registered in various countries. *Trademark owned by a third party. © 2023, Ashland.



IRR-20230705-008-KTA-V00

ferronyl™ iron supplement

IRRADIATED/ETO STATEMENT

Ashland, Inc. confirms, based on the information provided by our raw material manufacturers, the product listed above has not been irradiated and has not been treated with ethylene oxide (EtO).

Date: 07/05/23

Revision No.: 00

All statements, information and data presented herein are believed to be accurate and reliable, but are not to be taken as a guarantee, an express warranty, or an implied warranty of merchantability or fitness for a particular purpose, or representation, express or implied, for which Ashland, Inc. and its subsidiaries assume legal responsibility. ® Registered trademark, Ashland, or its subsidiaries, registered in various countries. ™Trademark, Ashland, or its subsidiaries, registered in various countries. *Trademark owned by a third party. © 2023, Ashland.



MEL-20230705-009-KTA-V00

ferronyl™ iron supplement

MELAMINE STATEMENT

Ashland, Inc. confirms, based on the information provided by our raw material manufacturers, the product listed above does not contain melamine contaminants.

Also, Ashland, Inc. does not perform any melamine testing on the product listed above.

Date: 07/05/23

Revision No.: 00

All statements, information and data presented herein are believed to be accurate and reliable, but are not to be taken as a guarantee, an express warranty, or an implied warranty of merchantability or fitness for a particular purpose, or representation, express or implied, for which Ashland, Inc. and its subsidiaries assume legal responsibility. ® Registered trademark, Ashland, or its subsidiaries, registered in various countries. ™Trademark, Ashland, or its subsidiaries, registered in various countries. *Trademark owned by a third party. © 2023, Ashland.



NIT-20230705-010-KTA-V00

ferronyl[™] iron supplement

NITROSAMINES STATEMENT

Ashland, Inc. confirms, based on the information provided by our raw material manufacturers, the product listed above does not contain nor has it been in contact with any known nitrosamines containing substances.

Ashland, Inc. does not perform any nitrosamines testing on the product listed above.

Date: 07/05/23
Revision No.: 00

All statements, information and data presented herein are believed to be accurate and reliable, but are not to be taken as a guarantee, an express warranty, or an implied warranty of merchantability or fitness for a particular purpose, or representation, express or implied, for which Ashland, Inc. and its subsidiaries assume legal responsibility. ® Registered trademark, Ashland, or its subsidiaries, registered in various countries. [™]Trademark, Ashland, or its subsidiaries, registered in various countries. *Trademark owned by a third party. © 2023, Ashland.



GMO-20230705-011-KTA-V00

ferronyl™ iron supplement

NON-GMO STATEMENT

Ashland, Inc. confirms based on the information provided by our raw material suppliers, that the above product starting material is wood pulp. Per the raw material suppliers, the wood pulp is not derived or processed with any known genetically modified organisms (GMOs) as defined by current U.S. and European regulations.

Consult local regulatory authorities for confirmation on GMO labeling requirements.

Date: 07/05/23

Revision No.: 00

All statements, information and data presented herein are believed to be accurate and reliable, but are not to be taken as a guarantee, an express warranty, or an implied warranty of merchantability or fitness for a particular purpose, or representation, express or implied, for which Ashland, Inc. and its subsidiaries assume legal responsibility. ® Registered trademark, Ashland, or its subsidiaries, registered in various countries. ™Trademark, Ashland, or its subsidiaries, registered in various countries. *Trademark owned by a third party. © 2023, Ashland.



NUT-20230705-012-KTA-V00

ferronyl™ iron supplement

Nutritional Content – US FDA Requirements

The above product is synthetic and does not have any significant nutritional or energy (caloric) value. As a result, Ashland, Inc. does not test these products for nutritional content. Mineral content apart of nutritional fact are also not tested.

Date: 07/05/23

Revision No.: 00

All statements, information and data presented herein are believed to be accurate and reliable, but are not to be taken as a guarantee, an express warranty, or an implied warranty of merchantability or fitness for a particular purpose, or representation, express or implied, for which Ashland, Inc. and its subsidiaries assume legal responsibility. ® Registered trademark, Ashland, or its subsidiaries, registered in various countries. ™Trademark, Ashland, or its subsidiaries, registered in various countries. *Trademark owned by a third party. © 2023, Ashland.



PES-20230705-013-KTA-V00

ferronyl™ iron supplement

PESTICIDES STATEMENT

Ashland, Inc. confirms, based on the information provided by our raw material manufacturers, pesticides are not expected to be present based on the evaluation of sources, manufacturing process, packaging process, and storage.

Also, Ashland, Inc. does not perform any pesticide testing on the product listed above.

Date: 07/05/23
Revision No.: 00

All statements, information and data presented herein are believed to be accurate and reliable, but are not to be taken as a guarantee, an express warranty, or an implied warranty of merchantability or fitness for a particular purpose, or representation, express or implied, for which Ashland, Inc. and its subsidiaries assume legal responsibility. ® Registered trademark, Ashland, or its subsidiaries, registered in various countries. ™Trademark, Ashland, or its subsidiaries, registered in various countries. *Trademark owned by a third party. © 2023, Ashland.



PRO-20230705-014-KTA-V00

ferronyl™ iron supplement

PROP 65 STATEMENT

Ashland, Inc. confirms, based on the information provided by our raw material manufacturers, the product listed above contains no chemical(s) that is/are deliberately added. However, Prop 65 also known as **Safe Drinking Water and Toxic Enforcement Act of 1986** cannot be determined unless the final product dosage is known.

Date: 07/05/23
Revision No.: 00

All statements, information and data presented herein are believed to be accurate and reliable, but are not to be taken as a guarantee, an express warranty, or an implied warranty of merchantability or fitness for a particular purpose, or representation, express or implied, for which Ashland, Inc. and its subsidiaries assume legal responsibility. ® Registered trademark, Ashland, or its subsidiaries, registered in various countries. ™Trademark, Ashland, or its subsidiaries, registered in various countries. *Trademark owned by a third party. © 2023, Ashland.



RES-20230705-015-KTA-V00

ferronyl™ iron supplement

RESIDUAL SOLVENT STATEMENT

Ashland, Inc. confirms, the above product meets the requirements of Residual Solvents for pharmaceutical articles in the current USP/NF General Chapter <467>, European Pharmacopeia General Chapter 5.4 and ICH-Q3C.

Class 1 Solvents: There are no class 1 solvents present in the above product.

Class 2 Solvents: There are no class 2 solvents present in the above product.

Class 3 Solvents: There are no class 3 solvents present in the above product.

Other Solvents: There are no other solvents present in the above product.

Date: 07/05/23

Revision No.: 00

All statements, information and data presented herein are believed to be accurate and reliable, but are not to be taken as a guarantee, an express warranty, or an implied warranty of merchantability or fitness for a particular purpose, or representation, express or implied, for which Ashland, Inc. and its subsidiaries assume legal responsibility. ® Registered trademark, Ashland, or its subsidiaries, registered in various countries. ™Trademark, Ashland, or its subsidiaries, registered in various countries. *Trademark owned by a third party. © 2023, Ashland.



SEW-20230705-016-KTA-V00

ferronyl™ iron supplement

SEWER SLUDGE STATEMENT

Ashland, Inc. confirms, based on the information provided by our raw material manufacturers, the product listed above is has not encounter any type of industrial or sewer sludge.

Date: 07/05/23
Revision No.: 00

All statements, information and data presented herein are believed to be accurate and reliable, but are not to be taken as a guarantee, an express warranty, or an implied warranty of merchantability or fitness for a particular purpose, or representation, express or implied, for which Ashland, Inc. and its subsidiaries assume legal responsibility. ® Registered trademark, Ashland, or its subsidiaries, registered in various countries. ™Trademark, Ashland, or its subsidiaries, registered in various countries. *Trademark owned by a third party. © 2023, Ashland.



USG-20230705-017-KTA-V00

ferronyl™ iron supplement

U.S. GUIDING REGULATIONS STATEMENT

Ashland, Inc. confirms that all ingredients present in the above-listed product are comprised of either approved food additives, dietary ingredients, Generally Recognized as Safe (GRAS) ingredients, Old Dietary Ingredient (ODI), grandfathered ingredients or any combination thereof, for use in nutraceuticals, food, and nutrition.

Date: 07/05/23
Revision No.: 00

All statements, information and data presented herein are believed to be accurate and reliable, but are not to be taken as a guarantee, an express warranty, or an implied warranty of merchantability or fitness for a particular purpose, or representation, express or implied, for which Ashland, Inc. and its subsidiaries assume legal responsibility. ® Registered trademark, Ashland, or its subsidiaries, registered in various countries. ™Trademark, Ashland, or its subsidiaries, registered in various countries. *Trademark owned by a third party. © 2023, Ashland.



VGN-20230705-018-KTA-V00

ferronyl™ iron supplement

VEGAN STATEMENT

Ashland, Inc. confirms, based on the information provided by our raw material manufacturers, the product listed above is vegan suitable and is not comprised of any animal derived material.

Date: 07/05/23

Revision No.: 00

All statements, information and data presented herein are believed to be accurate and reliable, but are not to be taken as a guarantee, an express warranty, or an implied warranty of merchantability or fitness for a particular purpose, or representation, express or implied, for which Ashland, Inc. and its subsidiaries assume legal responsibility. ® Registered trademark, Ashland, or its subsidiaries, registered in various countries. ™Trademark, Ashland, or its subsidiaries, registered in various countries. *Trademark owned by a third party. © 2023, Ashland.



VEG-20230705-019-KTA-V00

ferronyl™ iron supplement

VEGETARIAN STATEMENT

Ashland, Inc. confirms, based on the information provided by our raw material manufacturers, the product listed above is vegetarian suitable and is not comprised of any animal material.

Date: 07/05/23
Revision No.: 00

All statements, information and data presented herein are believed to be accurate and reliable, but are not to be taken as a guarantee, an express warranty, or an implied warranty of merchantability or fitness for a particular purpose, or representation, express or implied, for which Ashland, Inc. and its subsidiaries assume legal responsibility. ® Registered trademark, Ashland, or its subsidiaries, registered in various countries. ™Trademark, Ashland, or its subsidiaries, registered in various countries. *Trademark owned by a third party. © 2023, Ashland.



WAD-20230705-020-KTA-V00

ferronyl™ iron supplement

WORLD ANTI-DOPING AGENCY (WADA) STATEMENT

Ashland, Inc. confirms, based on the information provided by our raw material manufacturers, that the product listed above does not contain or been in contact with any known substances that appear on the current WADA prohibited list.

Date: 07/05/23
Revision No.: 00

All statements, information and data presented herein are believed to be accurate and reliable, but are not to be taken as a guarantee, an express warranty, or an implied warranty of merchantability or fitness for a particular purpose, or representation, express or implied, for which Ashland, Inc. and its subsidiaries assume legal responsibility. ® Registered trademark, Ashland, or its subsidiaries, registered in various countries. ™Trademark, Ashland, or its subsidiaries, registered in various countries. *Trademark owned by a third party. © 2023, Ashland.